

MEGAPIXEL LENS



3 UP TO MP

2.8~12mm VARI-FOCAL LENS

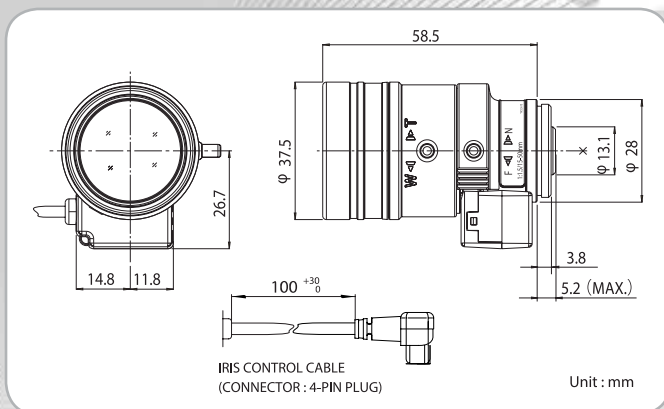
3M Pixel • f2.8~12mm Varifocal
Built-in ND filter • CS Mount Type
Telephoto Long Focal, Wide Angle

High image-quality monitoring with optical performance supporting 3 megapixels. WIDE 2.8mm, achieving a horizontal field angle of 120 degrees (when used on 1/3 cameras). Compact and lightweight design, best suited for use with dome cameras. Designed to maximize optical performance with high-accuracy aspheric lens, low-dispersion glass, and high refractive-index glass. Built-in ND filter of T360, supporting high sensitivity cameras.

KEY FEATURES

- High image-quality monitoring with optical performance supporting 3 megapixels.
- WIDE f2.8~12mm, range accommodates various applications.
- Designed to maximize optical performance with high-accuracy aspheric lens, low-dispersion glass, and high refractive-index glass.
- Built-in ND filter of T360, supporting high sensitivity cameras.

DIMENSIONS



LA MPFU2812AS			
Focal Length (mm)		2.8~12(4.3×)	
Iris Range		F1.4 ~ T360 (Equivalent to F360)	
Operation	Zoom	Manual	
	Focus	Manual	
	Iris	Auto (DC Type)(*1)	
Angle Of View (H×V)	1/3"	WIDE	100°02' × 74°03'
		TELE	23°26' × 17°36'
	1/4"	WIDE	74°03' × 55°06'
		TELE	17°36' × 13°13'
Focusing Range (From Front Of The Lens)(m)		∞ ~ 0.3	
Object Dimensions at M.O.D. (H×V)(mm)	1/3"	WIDE	753 × 476
		TELE	131 × 98
	1/4"	WIDE	476 × 329
		TELE	98 × 73
Back Focal Distance (in air)(mm)		7.83	
Exit Pupil Position (From Image Plane)(mm)		455	
Filter Thread (mm)		-	
Mount		CS	
Mass (g)		80	
Coil Resistance		Drive Coil 190Ω Damping Coil 500Ω	
Current Consumption		23mA (Max.) at DV 4V	
Remarks		-With Metal Mount (*1) When power is turned off, iris will automatically close. YV4.3×2.8SA-SA2L : Long Cable Type (230mm)	