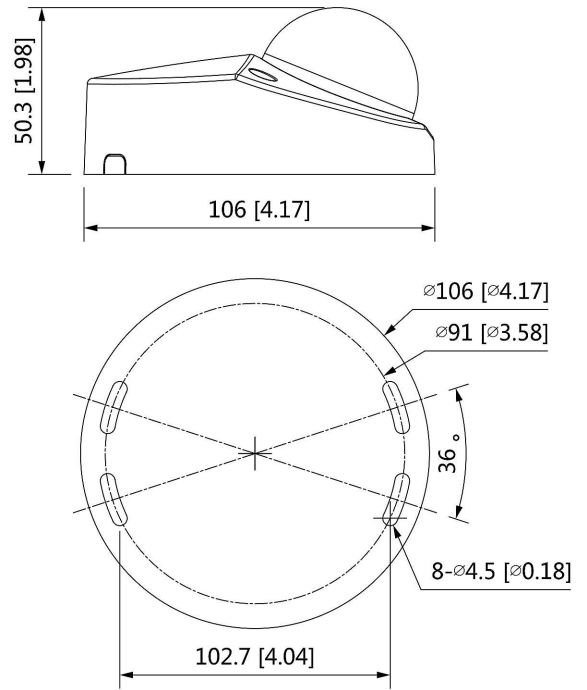


EYEMAX 5MP Starlight Mini Dome Coaxial Camera



4-IN-1 CVI / CVBS / AHD / TVI switchable • Starlight • 120dB WDR • IR Distance up to 100ft • Built-in Mic • IP67 • IK10 (Vandal-Resistant) • 12VDC±30%

Mount Accessories

Wall Mount Bracket	CWB E204W
Junction Box	CJB E139

Title

Experience 5MP full HD video using your existing cabling infrastructure with HDCVI. The Pro series offers a compact design, high-quality images at an affordable price, motorized/fixed lens options with 120 dB true WDR, multi-language OSD, and HD/SD switchable output. Its structural flexibility and cost-effectiveness make it an ideal choice for SMB solutions.

4 Signals over 1 Coaxial Cable

HDCVI technology sends four signals simultaneously over one coaxial cable: video, audio*, data, and power. Dual-way data transmission enables camera interaction with the XVR, such as control signals or alarms. HDCVI technology also supports PoC for construction flexibility. (*Audio input is available for some models of HDCVI cameras.)

Long Distance Transmission

HDCVI technology ensures real-time transmission over long distances without loss, supporting up to 700m for 5MP HD video via coaxial cable and up to 300m via UTP cable.

Simplicity

HDCVI technology retains the simplicity of traditional analog surveillance, making it an ideal choice for investment protection. It seamlessly upgrades existing analog systems without the need to replace coaxial cabling, offering plug-and-play full HD video surveillance without network configuration hassles.

Starlight

Equipped with a high-performance sensor, this camera delivers exceptional performance in extreme low-light conditions. The starlight feature enhances detail capture and color accuracy in low-light or limited illumination settings.

Broadcast-quality Audio

Audio is essential in video surveillance. This HDCVI camera supports audio signal transmission over coaxial cable and employs advanced technology to enhance audio quality, ensuring clear and effective audio information collection.

Smart IR

The camera features IR LED illumination for optimal low-light performance. Unique Smart IR technology maintains brightness uniformity in black-and-white images under low illumination by adjusting the intensity of the camera's infrared LEDs based on object distance, preventing overexposure as objects approach.

Wide Dynamic Range

Equipped with industry-leading WDR technology, this camera captures vivid images in high-contrast lighting conditions. True WDR (120dB) simultaneously optimizes both bright and dark areas, delivering usable video.

Advanced 3DNR

3DNR, a noise reduction technology, detects and eliminates random noise by comparing consecutive frames. Our advanced 3DNR minimizes noise while preserving sharpness, even in low-light conditions. Additionally, it efficiently reduces bandwidth and saves storage space.

Protection (IP67)

The camera's rugged design ensures outstanding reliability. It's protected against water and dust with an IP67 rating, suitable for both indoor and outdoor use.

Protection (Temperature)

Designed for extreme temperatures, the camera operates from -40°C to +60°C (-40°F to +140°F).

Wide Voltage Protection

With $\pm 30\%$ input voltage tolerance, this camera is suitable for unstable power supply conditions. It also boasts a 4 KV lightning rating, safeguarding both the camera and its structure from lightning effects.

EYEMAX 5MP Starlight Mini Dome Coaxial Camera

FEATURES

- Max 25 fps@5MP (16:9 video output)
- Starlight, 120 dB true WDR, 3D NR
- CVI/CVBS/AHD/TVI switchable
- 3.6 mm fixed lens (2.8 mm optional)
- Built-in mic
- Max. IR length 30 m, Smart IR
- IP67, IK10, DC12V±30%

SPECIFICATIONS

Camera	
Image Sensor	1/2.7 inch CMOS
Max. Resolution	2880 (H) × 1620 (V)
Pixel	5 MP
Scanning System	Progressive
Electronic Shutter Speed	PAL: 1/3 s-1/100,000 s NTSC: 1/4 s-1/100,000 s
S/N Ratio	0.001 Lux/F1.6, 30IRE, 0Lux IR on
Min. Illumination	>65 dB
Illumination Distance	30 m (98.4 ft)
Illuminator On/Off Control	Auto / Manual
Illuminator Number	8
Pan/Tilt/Rotation Range	Pan: 0°-60° Tilt: 0°-80° Rotation: 0°-360°
Lens	
Lens Type	Fixed-focal
Mount Type	M12
Focal Length	2.8mm
Max. Aperture	F1.6
Field of View	132°(D) × 111°(H) × 58°(V)

EYEMAX 5MP Starlight Mini Dome Coaxial Camera

Iris Type	Fixed iris
Close Focus Distance	0.9 m (3.0 ft)
DORI Distance	Detect: 63.6 m (208.7 ft) Observe: 25.4 m (83.3 ft) Recognize: 12.7 m (41.7 ft) Identify: 6.4 m (21.0 ft)
Video	
Frame Rate	CVI: NTSC: 5M@25 fps; 4M@30 fps; 1080P@30 fps PAL: 5M@25 fps; 4M@25 fps; 1080P@25 fps AHD: NTSC: 4M@30 fps PAL: 4M@25 fps TVI: NTSC: 4M@30 fps PAL: 4M@25 fps CVBS: NTSC: 960H PAL: 960H
Resolution	5M (2880 × 1620); 4M (2560 × 1440); 1080P (1920 × 1080); 960H (960 × 576/960 × 480)
Day/Night	Auto switch by ICR
BLC	BLC / HLC / WDR / HLC-Pro
WDR	120 dB
White Balance	Auto / Manual
Gain Control	Auto / Manual
Noise Reduction	2D NR/3D NR
Smart IR	Yes
Mirror	Off/On
Privacy Masking	Off/On (8 areas, rectangle)
Certifications	
Certifications	CE (EN55032:2015, EN 61000 ~ 3-2:2014, EN 61000 ~ 3-3:2013, EN55024:2010+A1:2015, EN 55035:2017, EN50130 ~ 4:2011+A1:2014, EN 62368 ~ 1:2014+A11:2017) FCC (CFR 47 FCC Part 15 subpartB, ANSI C63.4 ~ 2014) UL (UL60950 ~ 1+CAN/CSA C22.2 No.60950 ~ 1)
Port	

EYEMAX 5MP Starlight Mini Dome Coaxial Camera

Audio Interface	One channel built-in mic
Video Output	Video output choices of CVI/TVI/AHD/CVBS by one BNC port (DIP Switch)
Power	
Power Supply	DC 12V \pm 30%
Power Consumption	Max 4.0W (12V DC, IR on)
Environment	
Operating Temperature	-40°C to +60°C (-40°F to +140°F); < 95% (non-condensation)
Storage Temperature	-40°C to +60°C (-40°F to +140°F); < 95% (non-condensation)
Protection Grade	IP67, IK10
Structure	
Casing	Plastic dome cover+metal upper casing+metal pedestal
Camera Dimensions	ϕ 106 mm \times 50.3 mm (ϕ 4.17" \times 1.98")
Net Weight	0.33 kg (0.73 lb)
Gross Weight	0.44 kg (0.97 lb)