

IR Corrected 3 Mega Pixel Lens / 12.5~50mm Auto-Iris



3 Megapixel • 12.5-50mm Auto-Iris Lens • F1.4 • 1/2.7in • IR Corrected • CS Mount

FEATURES

- 1/2.7" Format
- 3 Megapixel
- 12.5 ~ 50mm Varifocal

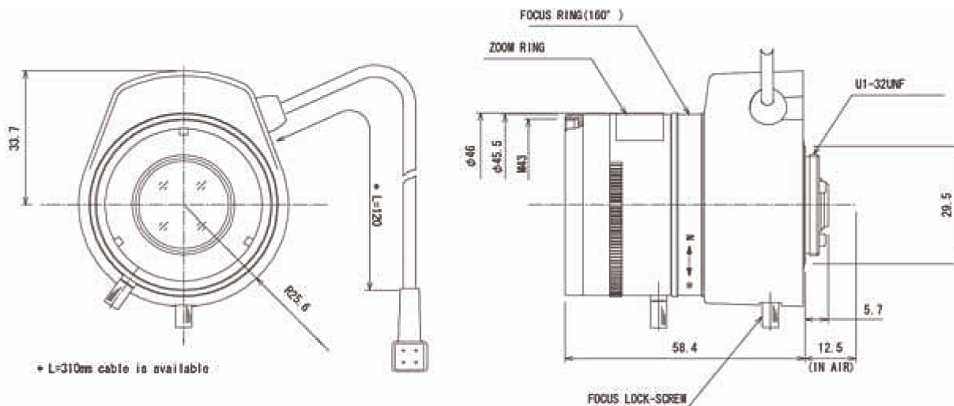
IR Corrected 3 Mega Pixel Lens / 12.5~50mm Auto-Iris

- Full HD Format
- DC Auto-iris
- Precise Focus Adjustment
- New Focus Lock System
- IR Corrected Optics
- Corner Brightness

SPECIFICATIONS

Application	1/2.7" format camera
Focal Length	12.5 ~ 50mm
Aperture	F1.4 ~ 360C
Angle of View	(D) 30.3° ~ 7.7° (H) 24.0° ~ 6.2° (V) 17.8° ~ 4.7°
Object Distance	1.0m - INF
Filter Size	M40.5 P=0.5
Mount	CS - Mount
Operating Temp.	14°F ~ 122°F(-10°C ~ 50°C)
Dimensions (W×H×D)	∅46 × 60 × 58.2mm

DIMENSIONS



unit : mm